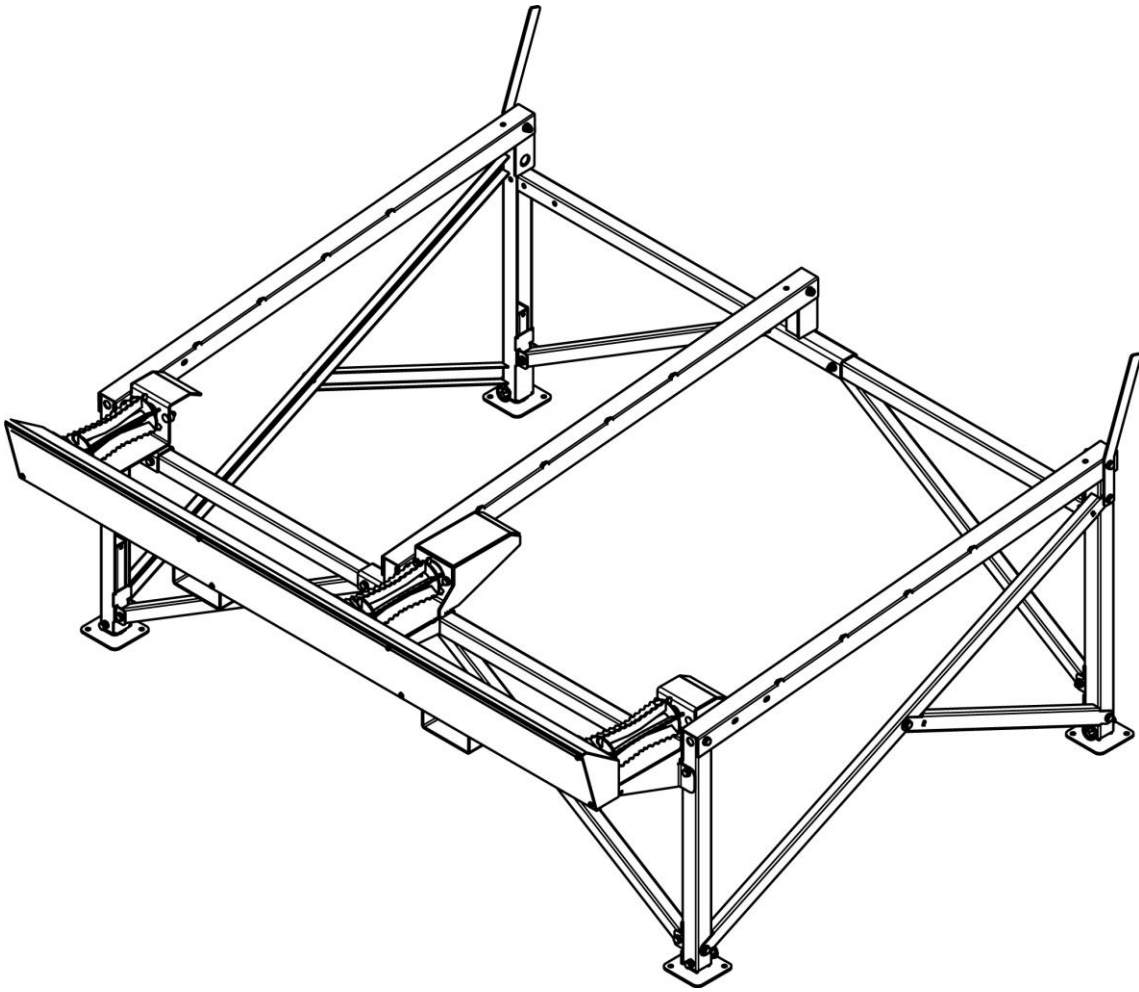




Spare parts catalogue

DUUN

Log rack ST2440



Page 18-19
Framework and
overview

Page 20-21
Parts for manual
input

Page 22-23
Hydraulic roller
+chain case

Page 24-25
Hydraulically driven slave
rollers



Spare parts catalogue

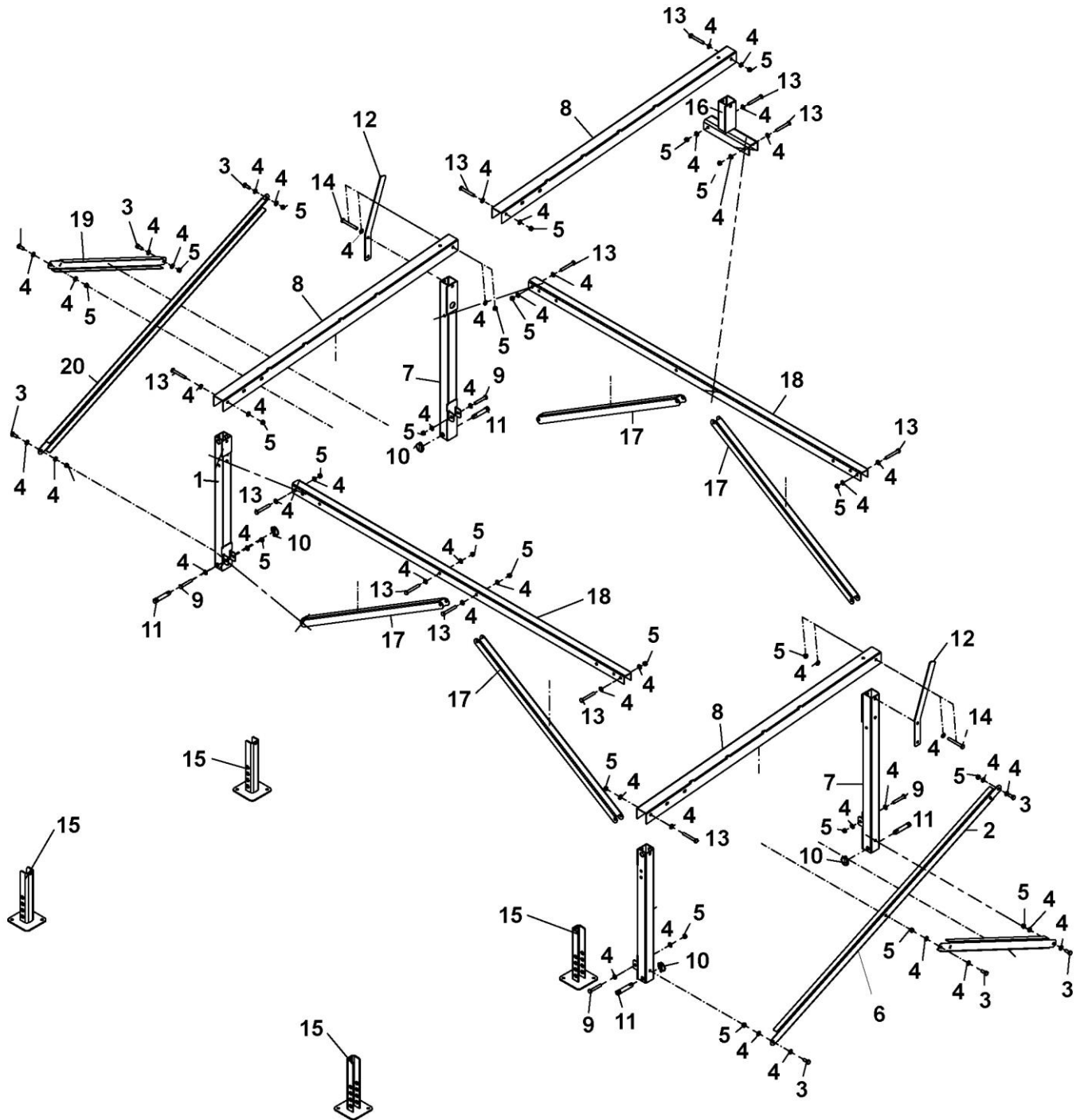
DUUN

Log rack ST2440

Group: 141-3-

Framework and overview

Edition: 1.2010





Spare parts catalogue

DUUN

Log rack ST2440

Group: 141-3-	Framework and overview	Edition: 1.2010
---------------	------------------------	-----------------

Pos.no.	Quantity	Designation	Article no.	Comment
1	2	Front leg	14140035	
2	1	Right long bracing strut	14140016	
3	8	Hex screw M12x30 galv.	2422348	
4	52	Washer M12 galv.	2531069	
5	26	Hex nut M12 locking galv.	2483611	
6	1	Right short bracing strut	14140017	
7	2	Rear leg	14140036	
8	3	Beam	14140033	
9	4	Screw 6kt m12x75 8.8 galv.	2422362	
10	4	Locking pin Ø10x40.	2556142	
11	4	Top strut bolt Ø 19x70	2526321	
12	2	Stick	1411378	
13	12	Hex screw M12x90 galv. 8.8	2422364	
14	2	Screw 6kt m12x100 8.8 galv.	2422365	
15	4	Adjustable leg	14140018	
16	1	Rear bracket	14140009	
17	4	Front/rear bracing	14140015	
18	2	Horizontal strut	14140013	
19	1	Left short bracing strut	14140007	
20	1	Left long bracing strut	14140008	



Spare parts catalogue

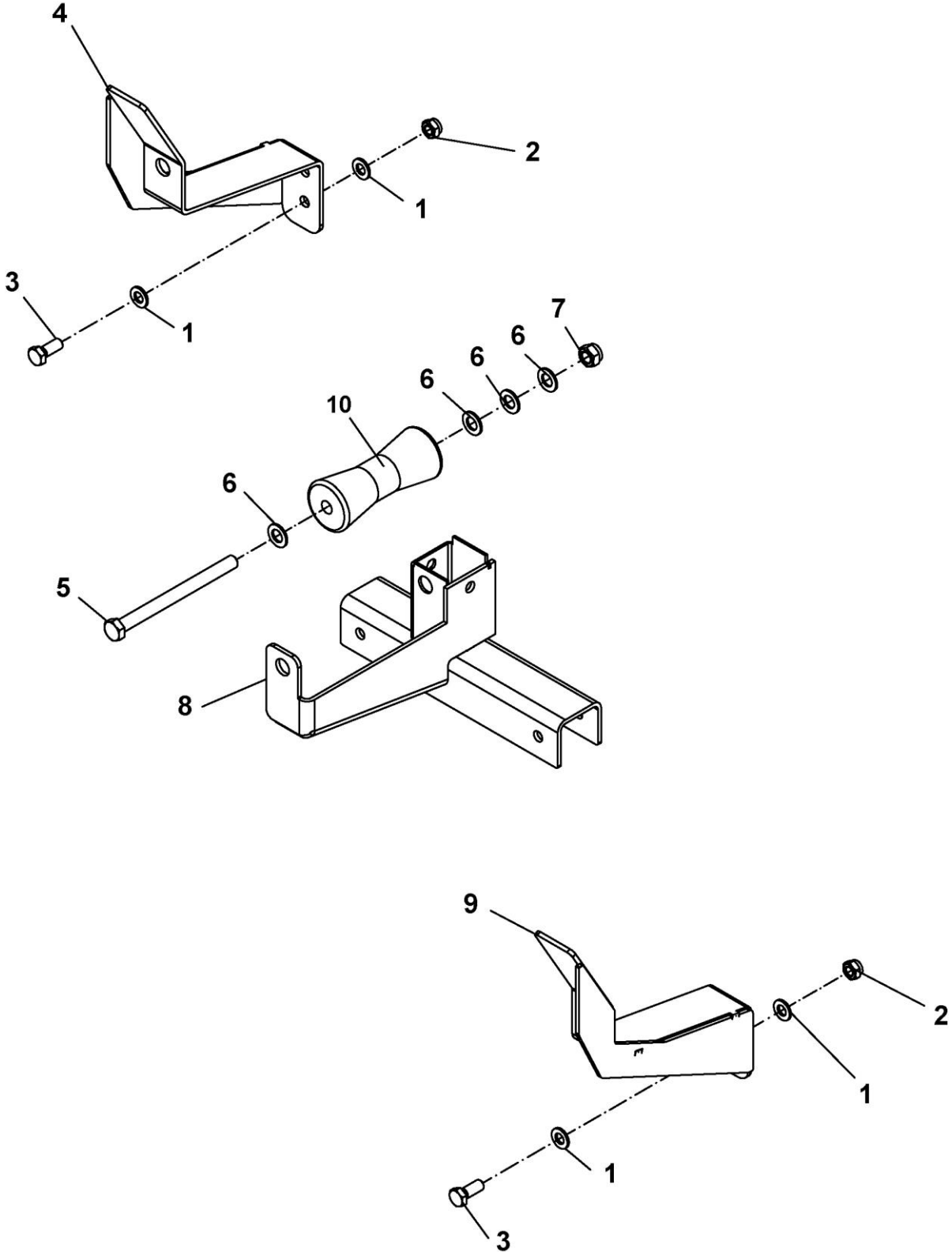
DUUN

Log rack ST2440

Group: 141-3-

Parts for manual input

Edition: 1.2010





Spare parts catalogue

DUUN

Log rack ST2440

Group: 141-3-	Parts for manual input	Edition: 1.2010
---------------	------------------------	-----------------

Pos.no.	Quantity	Designation	Article no.	Comment
1	4	Washer M12 galv.	2531069	
2	2	Hex nut M12 locking galv.	2483611	
3	2	Hex screw M12x30 galv.8.8	2422348	
4	1	Left manual roller holder	14140026	
5	3	Screw 6kt m20x240 8.8 galv.	2422597	
6	12	Washer M20 galv.	2531086	
7	3	Hex nut M20 locking galv.	2483615	
8	1	Middle manual roller holder	14140020	
9	1	Right manual roller holder	14140027	
10	3	Support roller Ø60/84 x L200	2245031	



Spare parts catalogue

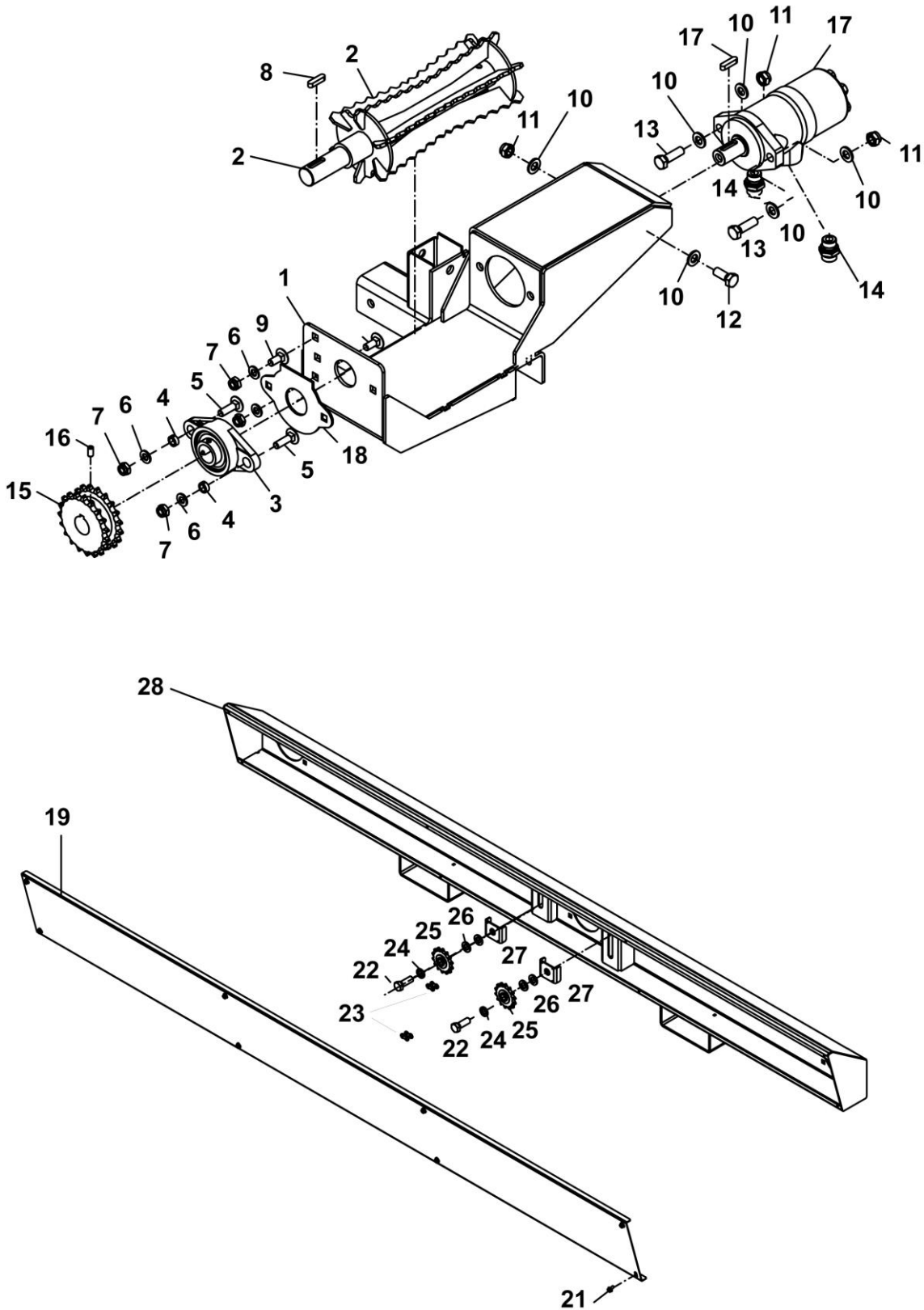
DUUN

Log rack ST2440

Group: 141-3-

Hydraulic roller+chain case

Edition: 1.2010





Spare parts catalogue

DUUN

Log rack ST2440

Group: 141-3-	Hydraulic roller+chain case	Edition: 1.2010
---------------	-----------------------------	-----------------

Pos.no.	Quantity	Designation	Article no.	Comment
1	1	Bracket for drive roller	14140024	
2	1	Feed roller drive roller	14140025	
3	1	Flange bearing UCFL206 30mm	2954171	
4	2	Bushing	1411167	
5	2	Locking screw m10x35 8.8 galv. DIN603	2344332	
6	4	Washer M10 galv.	2531060	
7	4	Hexagon locking nut M10 galv.	2483610	
8	1	Cotter 8x7 L32 DIN 6885A	2115129	
9	2	Locking head screw M10x25 galv. 8.8	2344330	
10	6	Washer M12 galv.	2531069	
11	3	Hexagon locking nut M12 galv.	2483611	
12	1	Hex head screw M12x30 galv.	2422348	
13	2	Hex head screw M12x40 galv.	2422352	
14	2	Hexagon nipple GEK BSP 1/2" L15ED	2957768	
15	1	Chain wheel 19t 5/8" double Ø30	2964169	
16	1	Threaded pin M8x16 St DIN916.	2473239	
17	1	Hydraulic motor 300ccm	2955513	
	1	Cotter for hydraulic motor	2115127	delivered with motor
18	1	Cover plate	14140034	
19	1	Cover for chain case	14140012	
21	8	Hex screw w/flange M6x12 galv.	2451197	
22	2	Hex screw M16x45 galv.8.8	2422491	
23	2	Chain lock 5/8".	2963149	delivered with a chain
24	2	Spring washer M16 galv.	2534078	
25	2	Chain tensioner wheel 5/8" 14t.	2954116	
26	4	Washer M16 galv.	2531078	
27	2	Nut plate.	1261179	
28	1	Chain case	14140032	
	1	Chain 5/8" 165 links/m chain lock	2963107	
	1	Chain 5/8" 143 links/m chain lock	2963103	
	2	CE mark 90x48mm – Risk of crushing	2935069	
	1	DUUN ST2440 Adhesive sign H-65mm	2935149	
	2	1/2" hose R2T L-4500 Log rack	2958184	
	2	Hydraulic gasket 1/2"	2957861	
	2	Quick coupling 1/2" ISO male part	2957860	



Spare parts catalogue

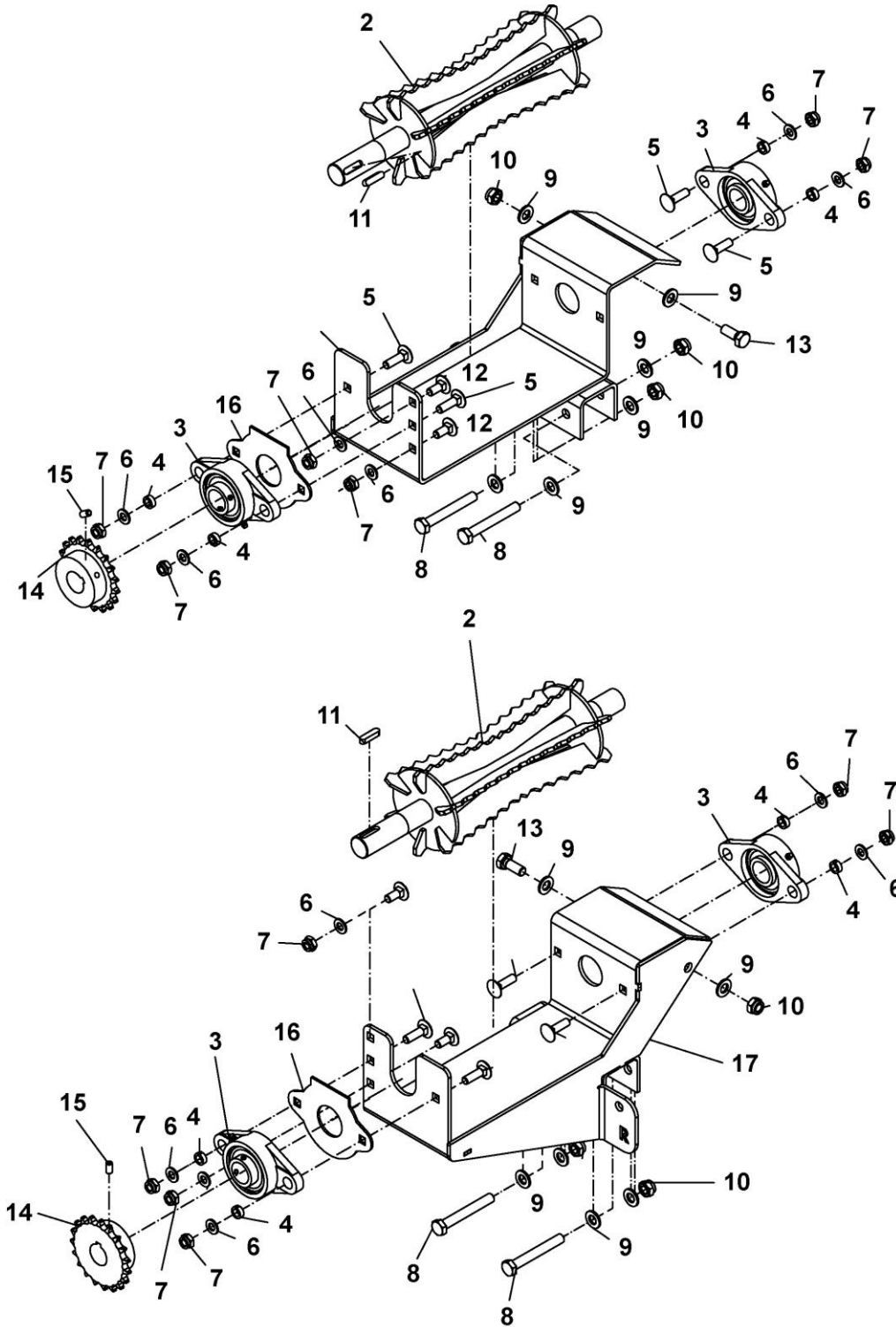
DUUN

Log rack ST2440

Group: 141-3-

Hydraulically driven slave rollers

Edition: 1.2010





Spare parts catalogue

DUUN

Log rack ST2440

Group: 141-3-	Hydraulically driven slave rollers	Edition: 1.2010
---------------	------------------------------------	-----------------

Pos.no.	Quantity	Designation	Article no.	Comment
1	1	Left hydraulic roller bracket	14140021	
2	2	Slave feed roller	14140023	
3	4	Flange bearing UCFL 206 30mm	2954171	
4	8	Bushing	1411167	
5	8	Locking head screw M10x35 galv.8.8	2344332	
6	12	Washer M10 galv.	2531060	
7	12	Hex nut M10 locking galv.8.8	2483610	
8	4	Hex screw M12x90 galv.8.8	2422364	
9	12	Washer M12 galv.	2531069	
10	6	Hex nut M12 locking galv.8.8	2483611	
11	2	Cotter 8x7 L32 DIN 6885A	2115129	
12	4	Locking head screw M10x25 galv. 8.8	2344330	
13	2	Hex screw M12x30 galv.8.8	2422348	
14	2	Chain wheel 19t 5/8 with screw set M8	2964166	
15	2	Threaded pin M8x16 ST DIN 916	2473239	
16	2	Cover plate	14140034	
17	1	Bracket for right roller	14140022	